



Redlined BSCP75 text for P344

P344 proposes changes to sections 1.1, 1.3, 1.6, 2.2, 3 and 4. We have redlined these changes against Version 13.0

There is no impact on any other part of this document for this change.

Amend section 1.1 as follows:

1.1 Purpose and Scope of the Procedure

This BSCP defines the process for submission of Aggregation Rules by Parties to the Central Data Collection Agent (CDCA) for Volume Allocation Units as defined in Section R of the Code. This BSCP describes the key interfaces and timetable responsibilities for interested parties.

This procedure also defines the process for the Lead Party of ~~BM Unit~~Primary BM Units in a Switching Group to instruct CDCA to use a different set of Aggregation Rules (chosen from a number of pre-registered sets) to reflect the switching of Plant and Apparatus between ~~BM Unit~~Primary BM Units.

This procedure does not include the registration of Aggregation Rules for Supplier ~~BM Unit~~Primary BM Units.

The Virtual Lead Party are not required to register Aggregation Rules for Secondary BM Units.

Amend section 1.3 as follows:

1.3 Key Milestones

Timescales for the registration of Aggregation Rules can be reduced upon agreement between all relevant parties. Other key milestones in this procedure are:

- 20 WD notice for submission of Aggregation Rules
- Selection of Aggregation Rules for Range CCGT Modules with the same timescales as defined in the Grid Code
- Selection of Aggregation Rules for ~~BM Unit~~Primary BM Units in Switching Groups within 2 WD of operational switching

Amend section 1.6 as follows:

1.6 Other

Typical examples concerning ~~BM Unit~~Primary BM Unit configurations and guidance for Aggregation Rules can be found in section 4.1.

Amend section 2.2 as follows:

2.2 List of Definitions

Full definitions of the above acronyms in Section 2.1 are included in the Code.

CVA registered BM Unit<u>Primary BM Unit</u> / Volume Allocation Unit	A BM Unit <u>Primary BM Unit</u> or Volume Allocation Unit comprising Plant and/or Apparatus whose Imports and Exports are measured by CVA Metering Systems.
---	---

Effective From Date	The Settlement Day from which the Aggregation Rules will become active.
Nominated Licensed Distribution System Operator	The Nominated LDSO is the LDSO who has obligations to submit the GSP Group Metered Volume Aggregation Rules. For the avoidance of doubt, the Nominated LDSO is the LDSO who was responsible for each GSP Group on 01 August 2003 or the Scottish Distribution Licensee in respect of that Bulk Supply Point Group under the Settlement Agreement for Scotland on 1 August 2003.
Contracted Licensed Distribution System Operator	The LDSO who provides the SMRS to the Registrant of the Metering System.
SVA registered BM Unit<u>Primary BM Unit</u>	A Supplier BM Unit <u>Primary BM Unit</u> .

Amend section 3 as follows:

3 Interface and Timetable Information

3.1 Registration of Aggregation Rules

REF	WHEN	ACTION	FROM	TO	INFORMATION REQUIRED	METHOD
3.1.1	At least 20 WD prior to the Effective From Date	Submit Aggregation Rules for Volume Allocation Unit. (Examples of completing Form BSCP75/4.2 can be found in Section 4.3).	Party	CDCA	Form BSCP75/4.2 Registration of Aggregation Rules for Volume Allocation Unit. (CDCA-I001 Aggregation Rules)	Fax / Letter/ Email
3.1.2	Within 1 WD of receipt of data from 3.1.1	The CDCA shall acknowledge receipt of the Aggregation Rules.	CDCA	Party	Form BSCP75/4.2 Registration of Aggregation Rules for Volume Allocation Unit.	Fax / Letter / Email
3.1.3	Within 1 WD of receipt of data from 3.1.1	The CDCA shall validate the Aggregation Rules including: <ul style="list-style-type: none"> • Completeness and Authorisation • The appropriate Metering System(s) is registered on or before the Effective From Date 	CDCA		Form BSCP75/4.2 Registration of Aggregation Rules for Volume Allocation Unit. BSCP38 Authorisations.	Internal
3.1.4	Within 2 WD of receipt of data from 3.1.1 and if supporting information required	Request supporting information.	CDCA	Party	Additional information (including but not limited to network diagrams, connection agreements and installation documentation).	Fax / Letter/ Email
3.1.5	Within 3 WD of request for supporting information	Provide supporting information requested in 3.1.4.	Party	CDCA	Supporting information as requested.	Fax / Letter/ Email
3.1.6	Within 1 WD of receipt of information from 3.1.5	The CDCA shall re-validate the Aggregation Rules.	CDCA		Supporting information.	Internal

REF	WHEN	ACTION	FROM	TO	INFORMATION REQUIRED	METHOD
3.1.7	Within 1 WD of 3.1.3 or 3.1.6 and if Aggregation Rules fail validation	Inform Party (detailing the reasons for the failure) and request Party to re-submit a new set of Aggregation Rules. Return to 3.1.1.	CDCA	Party	Reasons for failure and request Party to re-submit Aggregation Rules.	Fax / Letter/ Email
3.1.8	Following 3.1.3 or 3.1.6 and if the Aggregation Rules have been successfully validated	Where the Aggregation Rules are for a CVA registered BM Unit <u>Primary BM Unit</u> , associated with embedded Plant or Apparatus, or new GSP the CDCA will request that the Nominated LDSO provide revised GSP Group Metered Volume Aggregation Rules.	CDCA	Nominated LDSO	Revised GSP Group Metered Volume Aggregation Rules.	Fax/Letter/ Email
3.1.9	Following 3.1.8 and within 5 WD of successful validation	Provide revised GSP Group Metered Volume Aggregation Rules.	Nominated LDSO	CDCA	Revised GSP Group Metered Volume Aggregation Rules.	
3.1.10	Following 3.1.9 and within 5 WD of successful validation	The CDCA shall re-calculate the Aggregation Rules for the relevant GSP Group Take.	CDCA			Internal
3.1.11	Following 3.1.10 and within 5 WD of successful validation	Provide re-calculated GSP Group Take Aggregation Rules.	CDCA	Nominated LDSO	Re-calculated GSP Group Take Aggregation Rules.	Fax/Letter/ Email
3.1.12	Following 3.1.11 and within 5 WD of successful validation	Agree GSP Group Take Aggregation Rules with Contracted LDSOs.	Nominated LDSO	Contracted LDSO(s)	Agreement of the GSP Group Take Aggregation Rules.	
3.1.13	Following 3.1.12 and within 5 WD of successful validation	Confirm to the CDCA that the GSP Group Aggregation Rules are accurate.	Nominated LDSO	CDCA	Confirmation of the GSP Group Take Aggregation Rules.	Fax/Letter/ Email
3.1.14	Prior to Effective From Date	Produce confirmation report of aggregation rule data entered into system and provide to Party to confirm.	CDCA	Party	Aggregation rule report confirmation of data entered into systems. CDCA-I048 Report of Aggregation Rules	Fax / Letter/ Email
3.1.15	Prior to Effective From Date	Provide copy of the GSP Group Take Aggregation Rules to LDSO	CDCA	Nominated LDSO	Standing data reports prints of data entered into systems.	Fax / Letter/ Email

3.2 Notification of Operational Switching¹

REF	WHEN	ACTION	FROM	TO	INFORMATION REQUIRED	METHOD
3.2.1	Within 2 WD of switching of Plant and Apparatus between BM Unit Primary BM Units in a GSP Group (if that switching requires different Aggregation Rules)	Submit form ² electing which of the pre-registered sets of Aggregation Rules is now applicable.	Party	CDCA	Form BSCP75/4.4 Election of Pre-Registered Aggregation Rule for Switching Group	Fax / Letter/ Email
3.2.2	Within 1 WD of receipt of 3.2.1	The CDCA shall validate that set of Aggregation Rules identified on the BSCP75/4.4 form has previously been registered in accordance with 3.1.	CDCA			Internal
3.2.3	Within 1 WD of receipt of 3.2.1 and if form fails validation	Inform Party that the required configuration has not been pre-registered	CDCA	Party		Fax / Letter/ Email
3.2.4	Within 5 WD of receipt of 3.2.1 and if form passes validation	Configure CDCA system to use selected Aggregation Rules effective from midnight following the time of switching specified on the BSCP75/4.4 form	CDCA			Internal
3.2.5	Within 1 WD of 3.2.4.	Produce confirmation report of aggregation rule data entered into system and provide to Party to confirm.	CDCA	Party	Aggregation rule report confirmation of data entered into systems. CDCA-I048 Report of Aggregation Rules	Fax / Letter/ Email

¹ This process is applicable to Power Park Module **Primary** BM Units that are capable of operational switching.

² Where multiple sets of Aggregation Rules are being registered, also send BSCP75/4.4 to indicate which set is the initial operation set.

Amend section 4 as follows:

4 Appendices

4.1 Typical Configurations and Aggregation Rules for Volume Allocation Units

4.1.1 Overview

In order to calculate the Metered Volume for a Volume Allocation Unit, Aggregation Rules have to be submitted by Parties to enable metered data values to be aggregated to the appropriate Metered Volume. The responsibilities are detailed in Section R of the Code. This means that Parties have an obligation to register Aggregation Rules with the CDCA for the following Volume Allocation Units in accordance with this BSCP (the Volume Allocation Units themselves are registered with the CRA):

- ~~BM Unit~~Primary BM Units (other than Interconnector ~~BM Unit~~Primary BM Units and Supplier ~~BM Unit~~Primary BM Units)
- Grid Supply Points
- GSP Groups
- Interconnectors

Listed below are examples of the typical configurations of the four Volume Allocation Units that require Aggregation Rules to be submitted. Aggregation Rules are submitted using the Metering System ID and metering subsystem ID and, where appropriate, ~~BM Unit~~Primary BM Unit ID, GSP ID, GSP Group ID and Interconnector ID.

The identifier for a specific flow consists of the Metering System ID, the metering subsystem ID and the measurement quantity.

- The Custom and practice is that Export Meters are used to measure flows from Plant or Apparatus and Import Meters are used to measure flows to Plant or Apparatus.
- Any flow on an Export Meter is classified as AE. Any flow on an Import Meter is classified as AI.
- In all cases, a net flow measured by a metering subsystem will be calculated as [AE-AI]. Hence, a net flow from Plant/Apparatus will be treated as positive and a net flow to Plant/Apparatus will be treated as negative. Therefore the Volume Allocation Unit which has a net Import will be treated as negative and a Volume Allocation Unit which has a net Export will be treated as positive.
- All net flows measured by a metering subsystem which are to be accounted for in a given Volume Allocation Unit will be summed. This will give an overall net flow into or out of the given Volume Allocation Unit.
- All net flows measured by a metering subsystem which are to be accounted for in any other Volume Allocation Units that are associated with the given Volume Allocation Unit should be subtracted from the above summated net

flow. The outcome of the above two operations will be the net flow for the given Volume Allocation Unit.

In the case of GSP Group Takes, a further set of net flows need to be subtracted from the summated net flows derived in the above steps. These are the net flows measured by metering subsystems of CVA registered Volume Allocation Units which are embedded within the GSP Group. The prime responsibility for identifying these CVA registered Volume Allocation Units lies with the CDCA (rather than with Parties). However, the CDCA will fulfil this responsibility by requesting LDSOs to submit Aggregation Rules for GSP Group Take for their authorised area and the LDSOs shall comply with any such request.

In the illustrations that follow the above logic is used. However, the diagrams show metering subsystems, rather than individual meters, registers or channels.

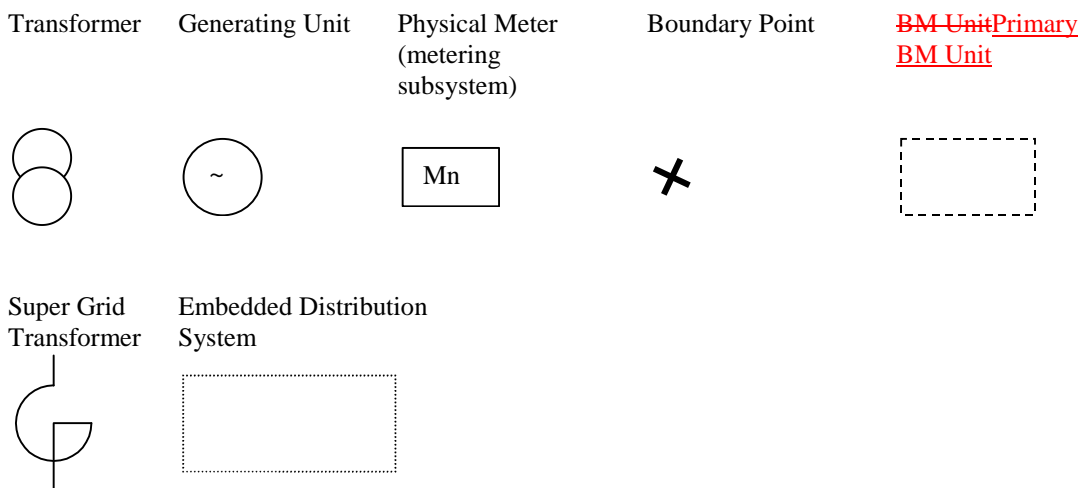
4.1.2 ~~BM Unit~~Primary BM Units

Before Aggregation Rules can be submitted for ~~BM Unit~~Primary BM Units the ~~BM Unit~~Primary BM Units have to be defined and registered in accordance with Section K of the Code and BSCP15.

Detailed below are examples of typical ~~BM Unit~~Primary BM Unit configurations for both generators and Suppliers. These are examples and Parties can submit different ~~BM Unit~~Primary BM Unit configurations so long as the configuration is in accordance with the Code Rules and associated BSCP.

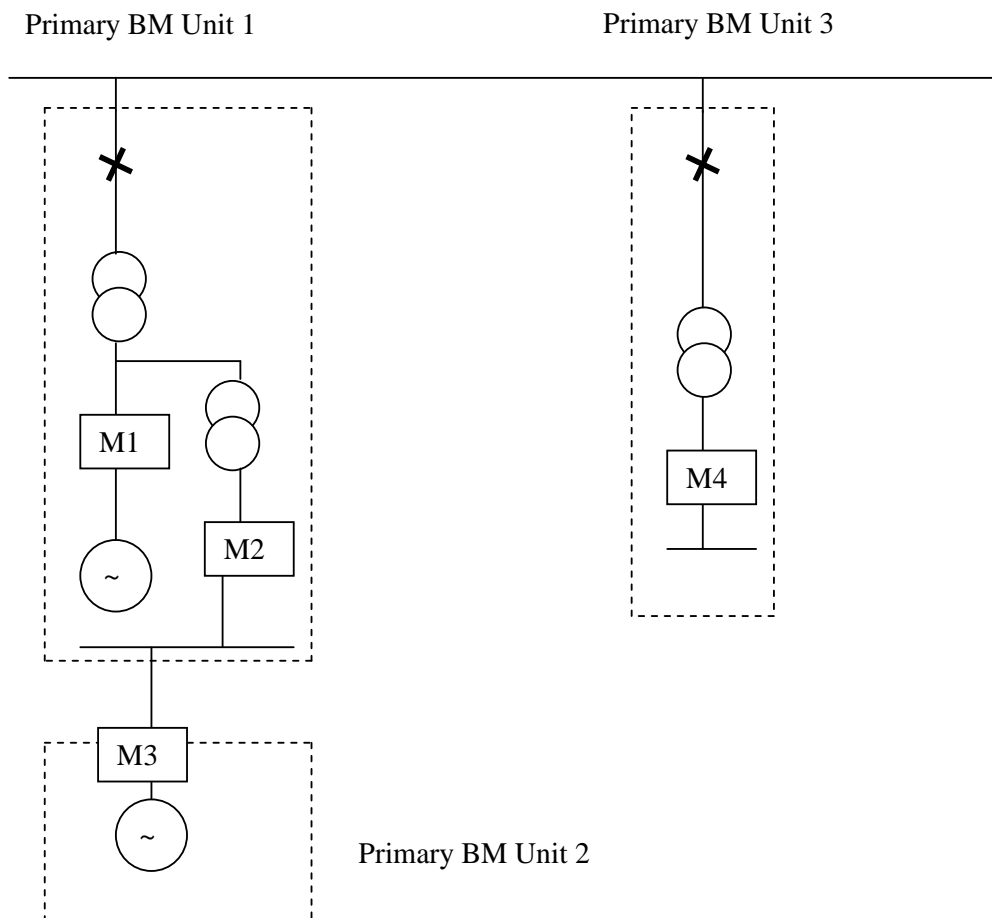
These examples do not include the application of (Distribution) Line Loss Factors (LLFs) in the interests of clarity. LLFs shall be applied as a multiplying factor to the values for each metering subsystem where appropriate. Where a Party requires the application of separate LLFs for Import and Export metering, the Party may register two separate MSIDs prior to the application of Aggregation rules.

Key



4.1.3 Simplified Power Station

Diagram below amended to show 'Primary' in addition to 'BM Unit':



The above is a simplified example of a power station connected to the Transmission System. The power station is owned and operated by Star Power. Star Power has configured the power station into 3 **Primary BM Unit**s. **Primary BM Unit 1** comprises the main Generating Unit and the associated demand for that Generating Unit. **Primary BM Unit 2** is an auxiliary Generating Unit. As the auxiliary Generating Unit has different operating costs to the main Generating Unit the Star Power wants to be able to submit Bids and Offers for each generator independently and therefore has declared the auxiliary Generating Unit as a separate **Primary BM Unit**. **Primary BM Unit 3** is the main station demand. If Star Power did not trade the auxiliary Generating Unit separately, then M1, M2, and M3 could be configured as a single **Primary BM Unit**.

All the meters in the above example are connected to one Outstation and constitute one Metering System. This Metering System has been registered by Star Power and the Metering System ID is 1234. The 4 physical meters (M1, M2, M3, M4) are 4 metering subsystems, referred to as STAR1, STAR2, STAR3 and STAR4 respectively, contained within the Metering System 1234.

For this example, three sets of Aggregation Rules need to be submitted to calculate the Metered Volumes associated with **Primary BM Unit 1, 2 and 3**.

Aggregation Rules

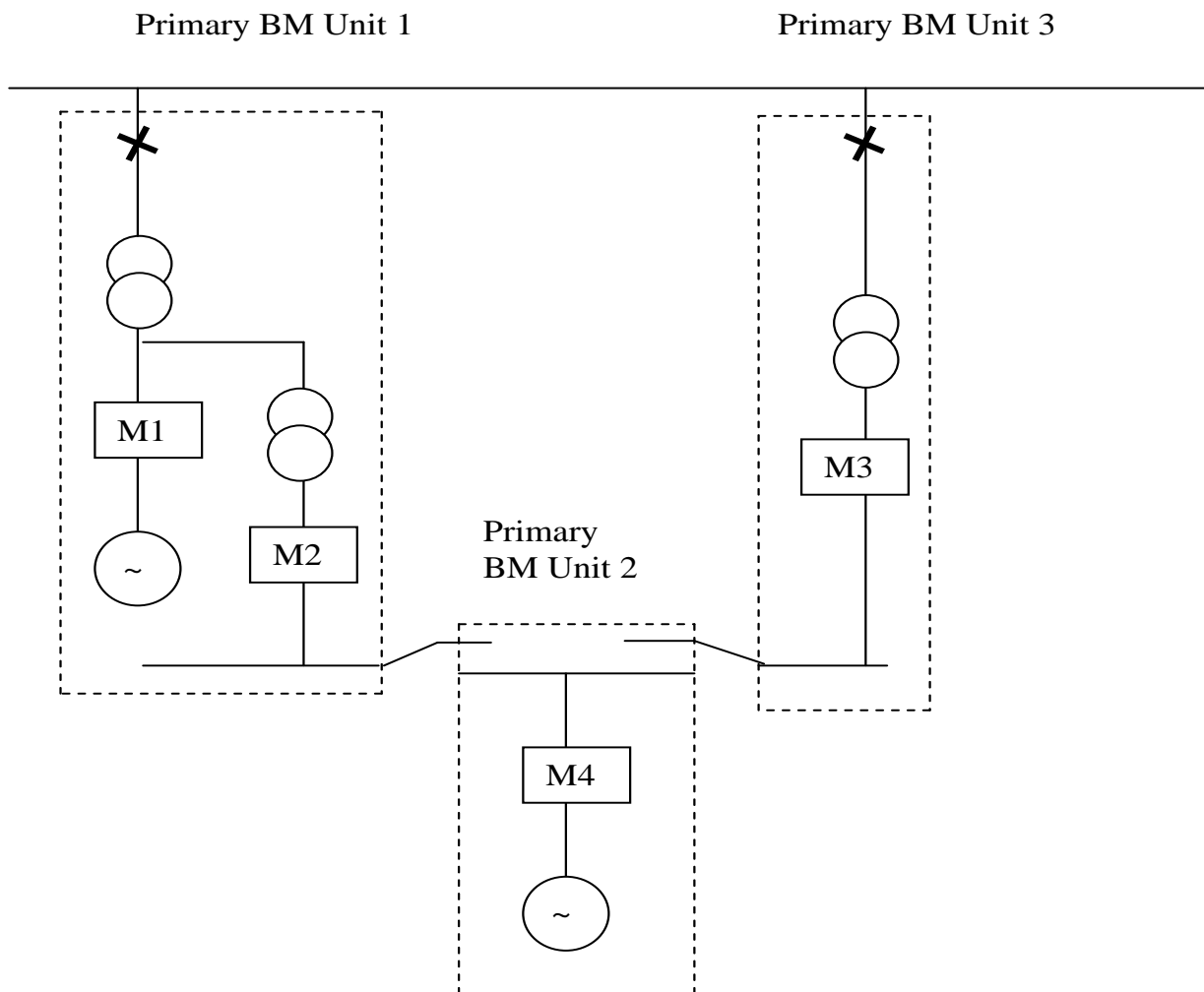
BM Unit Primary BM Unit 1 = [1234.STAR1.AE – 1234.STAR1.AI] + [1234.STAR2.AE – 1234.STAR2.AI] - [1234.STAR3.AE – 1234.STAR3.AI]

BM Unit Primary BM Unit 2 = [1234.STAR3.AE – 1234.STAR3.AI]

BM Unit Primary BM Unit 3 = [1234.STAR4.AE – 1234.STAR4.AI]

4.1.4 Power Station with Switchable Auxiliary Generating Unit

Diagram below amended to show 'Primary' in addition to 'BM Unit':



In this example the power station is owned and operated by Star Power. There are three BM Unit Primary BM Units, BM Unit Primary BM Unit 1 comprises the main generating unit and the associated demand for that Generating Unit, BM Unit Primary BM Unit 2 is an auxiliary Generating Unit and BM Unit Primary BM Unit 3 is the main station demand.

For this example the auxiliary Generating Unit is switchable. It can be connected to the Total System through either BM Unit Primary BM Unit 1 or BM Unit Primary BM Unit 3. Typically the auxiliary Generating Unit would be connected through BM

~~Unit~~Primary BM Unit 1. However, if the main Generating Unit was shut down, then the auxiliary could be connected through ~~BM Unit~~Primary BM Unit 3.

All the meters in the above example are connected to one Outstation and constitute one Metering System. This Metering System has been registered by Star Power and the Metering System ID is 1235. The four physical meters (M1, M2, M3 and M4) are four metering subsystems, referred to as STAR1, STAR2, STAR3 and STAR4 respectively contained within the Metering System 1235.

Aggregation Rules

Parties should register their Aggregation Rules using one of the following assumptions:

Assumption 1 – ~~BM Unit~~Primary BM Unit 2 connected through ~~BM Unit~~Primary BM Unit 1

$$\begin{aligned} \text{~~BM Unit~~Primary BM Unit 1} &= [1235.STAR1.AE - 1235.STAR1.AI] + [1235.STAR2.AE - 1235.STAR2.AI] \\ &\quad - [1235.STAR4.AE - 1235.STAR4.AI] \end{aligned}$$

$$\begin{aligned} \text{~~BM Unit~~Primary BM Unit 2} &= [1235.STAR4.AE - 1235.STAR4.AI] \end{aligned}$$

$$\begin{aligned} \text{~~BM Unit~~Primary BM Unit 3} &= [1235.STAR3.AE - 1235.STAR3.AI] \end{aligned}$$

Assumption 2 – ~~BM Unit~~Primary BM Unit 2 connected through ~~BM Unit~~Primary BM Unit 3

$$\begin{aligned} \text{~~BM Unit~~Primary BM Unit 1} &= [1235.STAR1.AE - 1235.STAR1.AI] + [1235.STAR2.AE - \\ &\quad 1235.STAR2.AI] \end{aligned}$$

$$\begin{aligned} \text{~~BM Unit~~Primary BM Unit 2} &= [1235.STAR4.AE - 1235.STAR4.AI] \end{aligned}$$

$$\begin{aligned} \text{~~BM Unit~~Primary BM Unit 3} &= [1235.STAR3.AE - 1235.STAR3.AI] - [1235.STAR4.AE - \\ &\quad 1235.STAR4.AI] \end{aligned}$$

Whichever assumption is used will give the overall correct answer on a Trading Unit basis. The FPNs submitted by Parties can be submitted on the basis of whichever assumption is used.

The actual impact can better be seen by applying some actual meter readings to the above example:

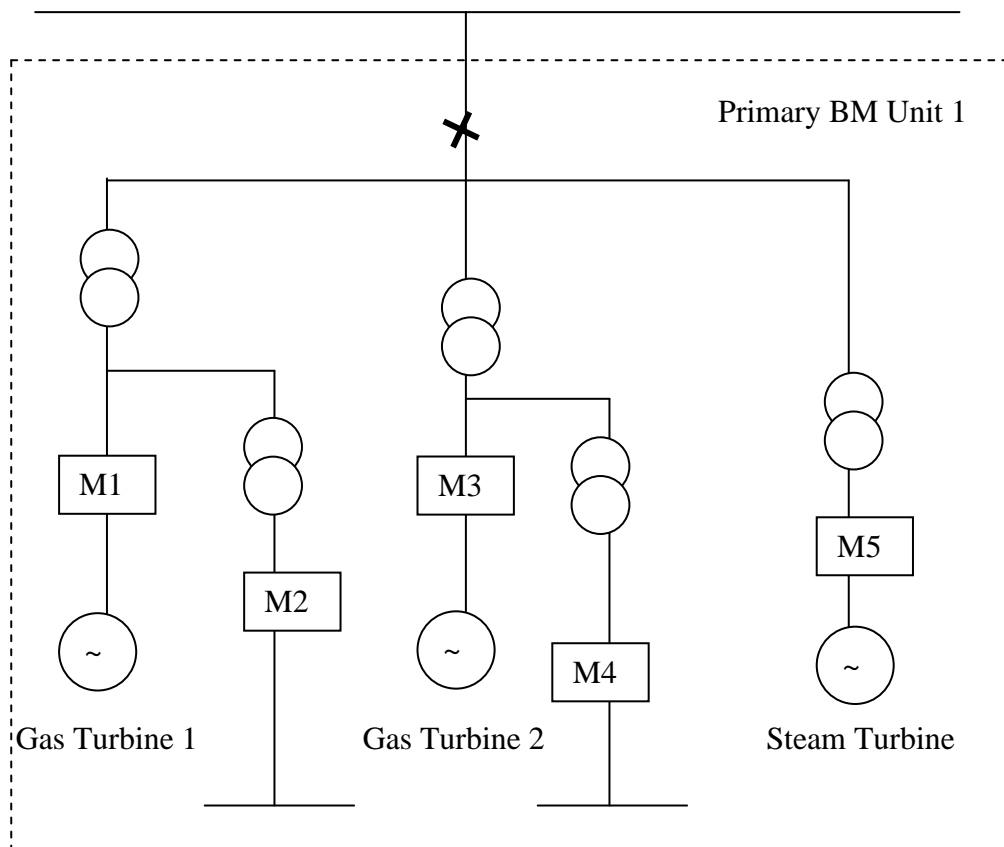
Assuming the auxiliary Generating Unit is in operation and is connected through ~~BM Unit~~Primary BM Unit 1, the following metered data would be obtained. Then whichever Aggregation Rule assumption is chosen the end result is the same at the Trading Unit level.

	Active Import (MWh)	Active Export (MWh)
Meter 1 (M1)	0	500
Meter 2 (M2)	0	50
Meter 3 (M3)	100	0
Meter 4 (M4)	0	50

	BM Unit Primary BM Unit 1	BM Unit Primary BM Unit 2	BM Unit Primary BM Unit 3	Trading Unit Net Volume
BM Unit Primary BM Unit volumes calculated through Aggregation Rules 1 (Assumption 1)	$(500 - 0) + (50 - 0) - (50 - 0) = +500$	$(50 - 0) = +50$	$(0 - 100) = -100$	+450
BM Unit Primary BM Unit volumes calculated through Aggregation Rules 2 (Assumption 2)	$(500 - 0) + (50 - 0) = +550$	$(50 - 0) = +50$	$(0 - 100) - (50 - 0) = -150$	+450

4.1.5 Combined Cycle Power Station

Diagram below amended to show 'Primary' in addition to 'BM Unit':



This example comprises of two gas fired turbines and one steam turbine connected to the Transmission System. The equipment is owned and operated by Star Power. The equipment cannot be independently operated and therefore Star Power has registered them as one **BM Unit Primary BM Unit**.

All the Meters in the above example are connected to one Outstation and constitute one Metering System. This Metering System has been registered by Star Power and the Metering System ID is 1236. The 5 physical Meters (M1, M2, M3, M4 & M5) are 5 metering subsystems, referred to as STAR1, STAR2, STAR3, STAR4 and STAR5 respectively, contained within the Metering System 1236.

$$\begin{aligned}
 \text{BM Unit Primary BM} &= [1236.STAR1.AE - 1236.STAR1.AI] + [1236.STAR2.AE - 1236.STAR2.AI] + \\
 \text{Unit 1} &= [1236.STAR3.AE - 1236.STAR3.AI] + [1236.STAR4.AE - 1236.STAR4.AI] + \\
 &= [1236.STAR5.AE - 1236.STAR5.AI]
 \end{aligned}$$

4.1.6 Grid Supply Points and GSP Group Takes

GSPs are a number of Systems Connection Points at the same location at which the Transmission System is connected to a Distribution System. The submission of Aggregation Rules for GSPs and GSP Groups are the responsibility of the Distribution System Operator. The submission of Aggregation Rules for GSP Group Take is the responsibility of the CDCA.

Note that the term Grid Supply Point (as used in the BSC and in this BSCP) includes Offshore Transmission Connection Points i.e. points at which the Offshore

Transmission System connects to an onshore Distribution System. The process for submitting Aggregation Rules for Offshore Transmission Connection Points is the same as for other Grid Supply Points.

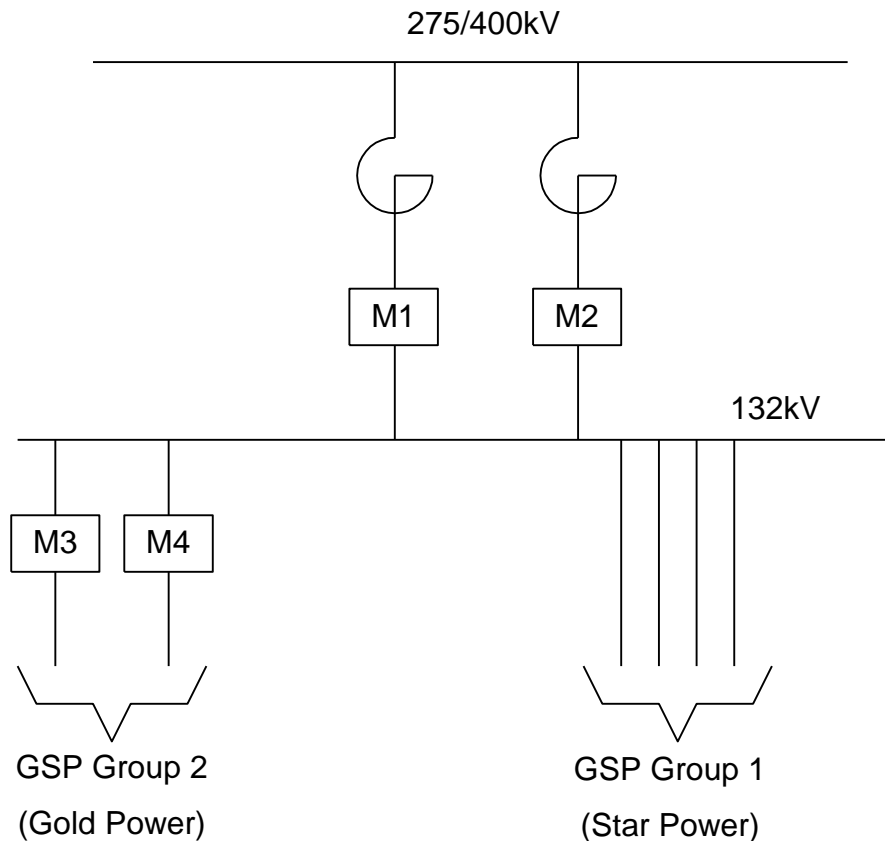
Section 4.1.7 describes two different examples of a shared GSP. Section 4.1.8 describes a typical GSP which includes a Distribution Systems Connection Point and GSP Group Take.

Sections 4.1.9-4.1.11 describe different scenarios with embedded Distribution Systems where there is more than one Distribution System Operator within a single GSP Group.

4.1.7 Shared Grid Supply Point

The following Examples 1A and 1B apply to England and Wales, where the 132kV system is normally a distribution asset.

Example 1A: GSP shared between two GSP Groups:



In this example the GSP is shared between two GSP Groups. The LDSO for GSP Group 1 is Star Power and for GSP Group 2 is Gold Power. Since it is a shared GSP, the 132kV busbar is a transmission asset.

The Codes of Practice state that the defined Metering Point should be at the Systems Connections Points of each LDSO to the common busbar. In this example Star

Power have not metered their four circuits, instead they have a valid Metering Dispensation to utilise a difference metering scheme. They submit Aggregation Rules which subtract the energy taken by Gold Power (measured by M3 and M4) from the GSP Group 1 Metered Volume.

In this example Star Power has four feeders as opposed to Gold Power's two, and has elected to be the majority LDSO. Star Power (as the majority LDSO) would therefore register the metering M1 and M2 and would be responsible for registering the Aggregation Rules for the Metered Volume for the GSP. Both M1 and M2 belong to the same Metering System and the Metering System is allocated the identifier 1234. The physical meters M1 and M2 have metering subsystems identifiers of STAR1 and STAR2 respectively.

Gold Power is the LDSO for GSP Group 2 and would register the metering M3 and M4. Both M3 and M4 belong to the same Metering System and that Metering System is allocated the identifier 5678 and the physical meters M3 and M4 have metering subsystems GOLD1 and GOLD2.

GSP Metered Volume	$[1234.STAR1.AE - 1234.STAR1.AI] + [1234.STAR2.AE - 1234.STAR2.AI]$
GSP Group 1 Metered Volume	$[1234.STAR1.AE - 1234.STAR1.AI] + [1234.STAR2.AE - 1234.STAR2.AI] - [5678.GOLD1.AE - 5678.GOLD1.AI] - [5678.GOLD2.AE - 5678.GOLD2.AI] +$ the Aggregation Rules for all other GSPs within GSP Group 1 + the Aggregation Rules for all DSCPs connecting to/from GSP Group 1

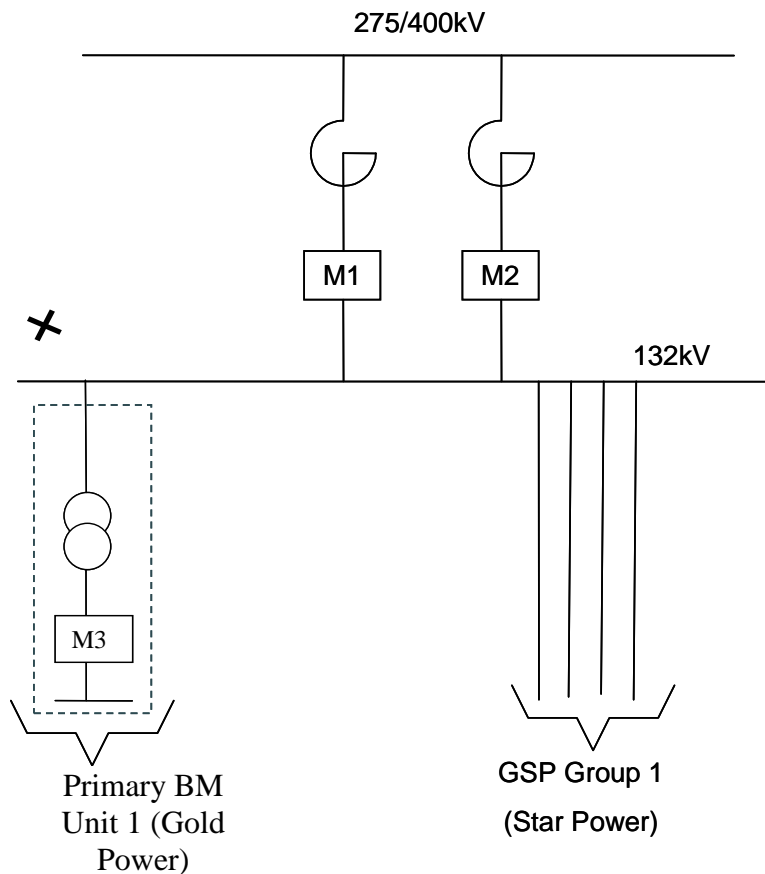
This would be submitted by Star Power.

GSP Group 2 Metered Volume	$[5678.GOLD1.AE - 5678.GOLD1.AI] + [5678.GOLD2.AE - 5678.GOLD2.AI] +$ the Aggregation Rules for all other GSPs within GSP Group 2 + the Aggregation Rules for all DSCPs connecting to/from GSP Group 2
----------------------------	--

This would be submitted by Gold Power.

Example 1B: GSP shared between a GSP Group and a ~~BM Unit~~Primary BM Unit:

Diagram below amended to show 'Primary' in addition to 'BM Unit':



In this example the GSP is shared between a GSP Group, for which Star Power is the LDSO, and the **BM Unit Primary BM Unit** owned by Gold Power. Since it is a shared GSP, the 132kV busbar is a transmission asset, and the **BM Unit Primary BM Unit** is therefore directly connected. The Codes of Practice state that the defined Metering Point should be at the Systems Connections Points to the common busbar. In this example Star Power have not metered their four circuits, instead they have a valid Metering Dispensation to utilise a difference metering scheme. They submit Aggregation Rules which subtract the energy taken by Gold Power (measured by M3) from the total GSP energy flow (as measured by M1 and M2).

Star Power would register the metering M1 and M2 and would be responsible for registering the Aggregation Rules for the Metered Volume for the GSP. Both M1 and M2 belong to the same Metering System and that the Metering System is allocated the identifier 1234. The physical meters M1 and M2 have metering subsystem identifiers of STAR1 and STAR2 respectively.

Gold Power is the Lead Party for **BM Unit Primary BM Unit** 1 and would register the metering M3 and would be responsible for registering the Aggregation Rules for **BM Unit Primary BM Unit** 1. M3 is allocated the identifier 5678 and the physical meter has metering subsystem GOLD1.

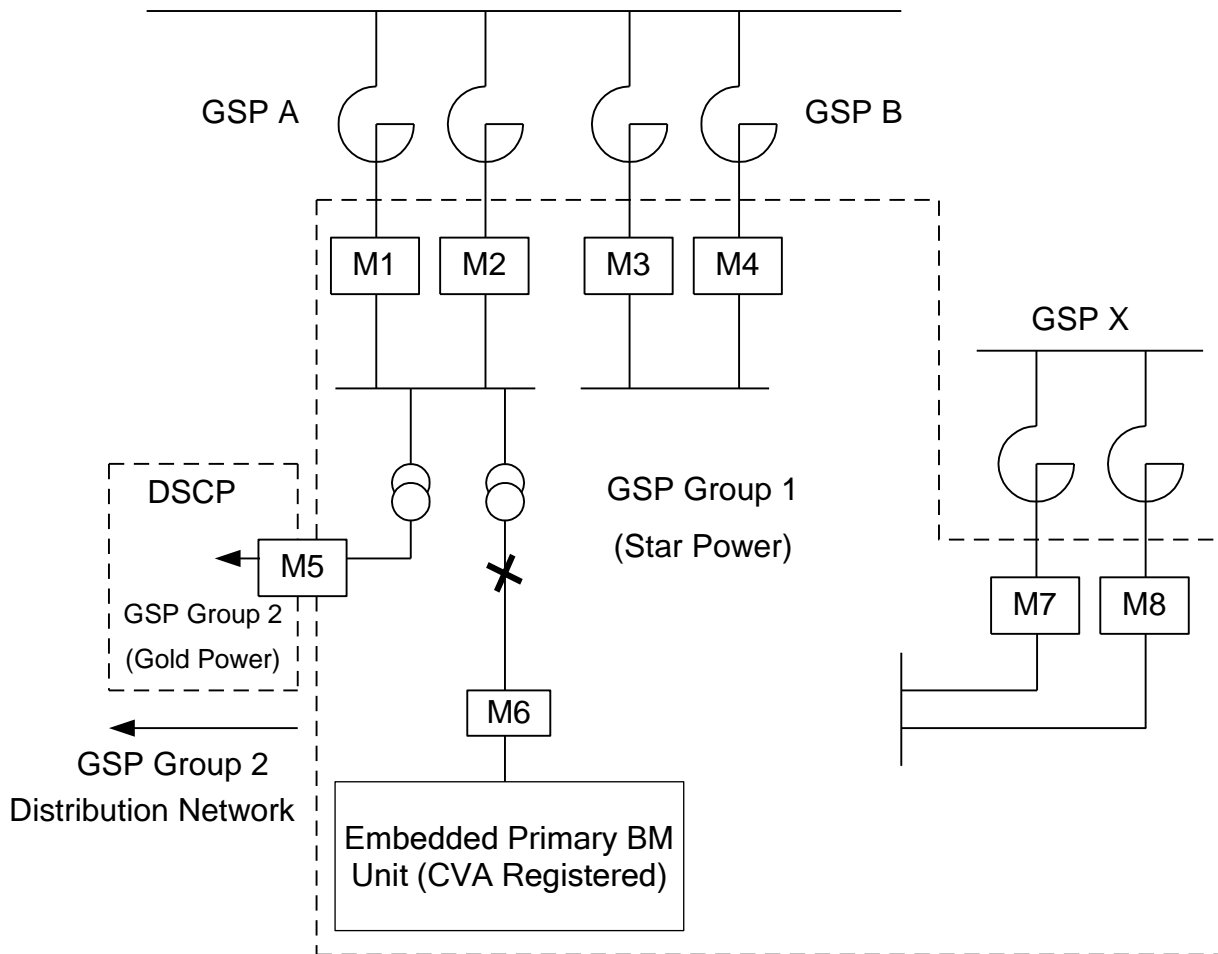
GSP Metered Volume	$[1234.STAR1.AE - 1234.STAR1.AI] + [1234.STAR2.AE - 1234.STAR2.AI] - [5678.GOLD1.AE - 5678.GOLD1.AI]$
GSP Group 1 Metered Volume	$[1234.STAR1.AE - 1234.STAR1.AI] + [1234.STAR2.AE - 1234.STAR2.AI] - [5678.GOLD1.AE - 5678.GOLD1.AI]$ + the Aggregation Rules for all other GSPs within GSP Group 1 + the Aggregation Rules for all DSCPs connecting to/from GSP Group 1

This would be submitted by Star Power.

This would be submitted by Gold Power.

4.1.8 Typical GSP including DSCP and GSP Group Take

Diagram below amended to show 'Primary' in addition to 'BM Unit':



In this example the LDSO for GSP Group 1 is Star Power and for GSP Group 2 is Gold Power.

Star Power have registered the GSP Metering Systems at GSP A, GSP B and GSP X with the Metering System identifiers 1239, 1240 and 1241 respectively. Each of the Metering Systems have metering subsystems associated with them. GSP A has metering subsystems STAR1 and STAR2, GSP B has metering subsystems STAR3 and STAR4 and GSP X has metering subsystems STAR7 and STAR8.

The DSCP is metered by M5. This belongs to the Metering System ID 1231 registered by Gold Power. The physical meter M5 corresponds to a metering subsystem identified as GOLD5. The Metering System ID 1231 has an associated

Line Loss Factors Code LLF1.

The embedded ~~BM Unit~~Primary BM Unit is a licence exempt generator owned by Green Inc. The Exempt Export ~~BM Unit~~Primary BM Unit is registered with the CRA by Green Inc and the ~~BM Unit~~Primary BM Unit ID is GREEN_BM. The Metering System associated with the meter M6 is registered by Green Inc and has a Metering System ID 1200 with metering subsystem ID GREEN6 and associated Line Loss Factors Code LLF2.

Aggregation Rules for GSP Metered Volumes

$$\text{GSP A} = [1239.\text{STAR1.AE} - 1239.\text{STAR1.AI}] + [1239.\text{STAR2.AE} - 1239.\text{STAR2.AI}]$$

This would be submitted by Star Power.

$$\text{GSP B} = [1240.\text{STAR3.AE} - 1240.\text{STAR3.AI}] + [1240.\text{STAR4.AE} - 1240.\text{STAR4.AI}]$$

This would be submitted by Star Power.

$$\text{GSP X} = [1241.\text{STAR7.AE} - 1241.\text{STAR7.AI}] + [1241.\text{STAR8.AE} - 1241.\text{STAR8.AI}]$$

This would be submitted by Star Power.

Aggregation Rules for GSP Group Metered Volumes and GSP Group Take

$$\text{Metered Volume for GSP Group 1} = [\text{GSP A}] + [\text{GSP B}] + [\text{GSP X}] - [[1231.\text{GOLD5.AE} - 1231.\text{GOLD5.AI}] * \text{LLF1}] + \text{the Aggregation Rules for all DSCPs connecting to/from GSP Group 1}$$

This would be submitted by Star Power.

$$\text{Metered Volume for GSP Group 2} = \text{Aggregation Rules for all GSPs within GSP Group 2} + [[1231.\text{GOLD5.AE} - 1231.\text{GOLD5.AI}] * \text{LLF1}] + \text{the Aggregation Rules for all DSCPs connecting to/from GSP Group 2}$$

This would be submitted by Gold Power.

$$\text{Green_BM} = [1200.\text{GREEN6.AE} - 1200.\text{GREEN6.AI}] * \text{LLF2}$$

This would be submitted by Green Inc.

$$\text{Group Take for GSP Group 1} = \text{Metered Volume for GSP Group 1} - \text{Green_BM}$$

$$\text{Group Take for GSP Group 2} = \text{Metered Volume for GSP Group 2} - \text{all embedded } \del{\text{BM Unit}}\text{Primary BM Units}$$

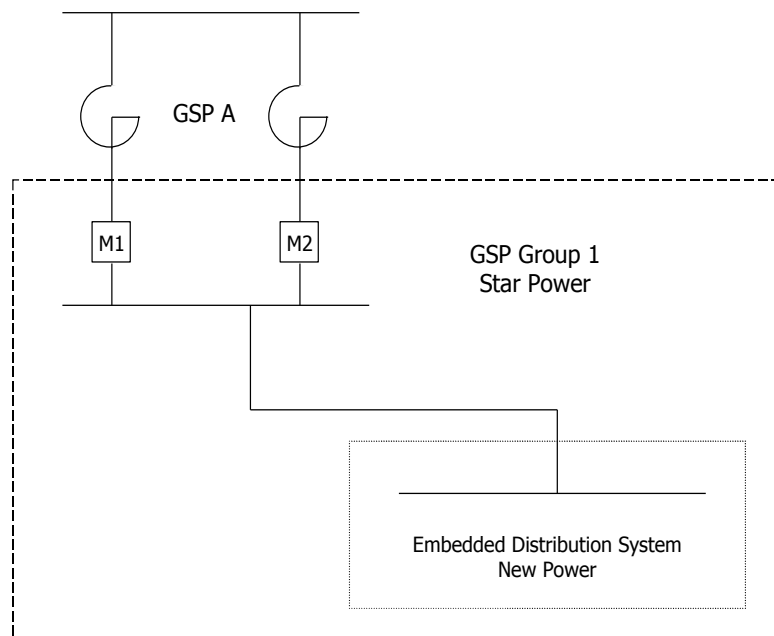
These will be established by the CDCA. Parties are not required to submit these Aggregation Rules, however the CDCA can request that they do.

Note:

In this example, the Metering System at the DSCP (M5) is registered by Gold Power. As a result, the above Aggregation Rules treat an Export as the flow from GSP Group 2 to GSP Group 1 and an Import as a flow of electricity from GSP Group 1 to GSP Group 2. However, in practice, the DSCP metering could be registered by either Gold Power or Star Power. If Star Power registered the Metering System at the DSCP then an Export would be from GSP Group 1 to GSP Group 2 and an Import from GSP Group 2 to GSP Group 1.

- 4.1.9 Distribution System with all its Boundary Points registered in SMRS, entirely embedded within another Distribution System

Diagram below amended to show 'Primary' in addition to 'BM Unit':



In this example, there are two Distribution Systems and two LDSOs in GSP Group 1. Star Power is the Nominated LDSO (i.e. ex-Public Distribution System Operator) for GSP Group 1 and New Power is an embedded LDSO).

Star Power has registered the GSP Metering Systems at GSP A with the Metering System identifiers 1239. This Metering System has metering subsystems STAR1 and STAR2 associated with it at GSP A.

Aggregation Rules for GSP Metered Volumes

$$\text{GSP A} = [1239.\text{STAR1.AE} - 1239.\text{STAR1.AI}] + [1239.\text{STAR2.AE} - 1239.\text{STAR2.AI}]$$

This would be submitted by Star Power.

Aggregation Rules for GSP Group Metered Volumes and GSP Group Take

Metered Volume for GSP Group 1 = [GSP A] + the Aggregation Rules for all other GSPs within GSP Group 1 + the Aggregation Rules for all DSCPs connecting to/from GSP Group 1

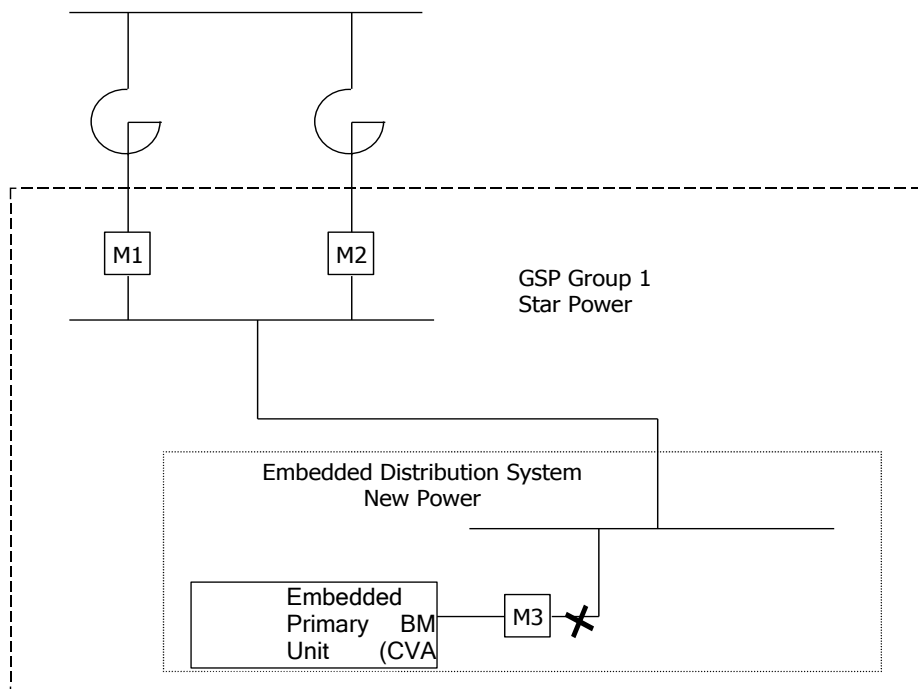
This would be submitted by Star Power.

The Group Take for GSP Group 1 is the same as the GSP Group Metered Volume as the embedded Distribution System has no CVA Boundary Points in GSP Group 1 and no contribution to the Aggregation Rules. All the energy of the embedded Distribution System is accounted for in SVA.

Group Take for GSP Group 1 = Metered Volume for GSP Group 1 - all embedded ~~BM Unit~~Primary BM Units

This will be established by the CDCA. Parties are not required to submit these Aggregation Rules, however the CDCA can request that they do.

4.1.10 Distribution System entirely embedded within an existing Distribution System with one embedded ~~BM Unit~~Primary BM Unit registered in CVA and all other entry/exit points registered in SVA



In this example, there are two Distribution Systems and two LDSOs in GSP Group 1. Star Power is the Nominated LDSO for GSP Group 1 and New Power is an embedded LDSO. The embedded ~~BM Unit~~Primary BM Unit within New Power's Distribution System is a licence exempt generator owned by Green Inc.

Star Power has registered the GSP Metering Systems at GSP A with the Metering System identifiers 1239. This Metering System has metering subsystems STAR1 and STAR2 associated with it at GSP A.

The ~~BM Unit~~Primary BM Unit is registered with the CRA by Green Inc and the ~~BM Unit~~Primary BM Unit ID is GREEN_BM. The Metering System associated with the meter M3 is registered by Green Inc and has a Metering System ID 1200 with metering subsystem ID GREEN3 and associated Line Loss Factors Code LLF1.

Aggregation Rules for GSP Metered Volumes

$$\text{GSP A} = [1239.\text{STAR1.AE} - 1239.\text{STAR1.AI}] + [1239.\text{STAR2.AE} - 1239.\text{STAR2.AI}]$$

This would be submitted by Star Power.

Aggregation Rules for GSP Group Metered Volumes and GSP Group Take

$$\text{Metered Volume for GSP Group 1} = [\text{GSP A}] + \text{the Aggregation Rules for all other GSPs within GSP Group 1} + \text{the Aggregation Rules for all DSCPs connecting to/from GSP Group 1}$$

This would be submitted by Star Power.

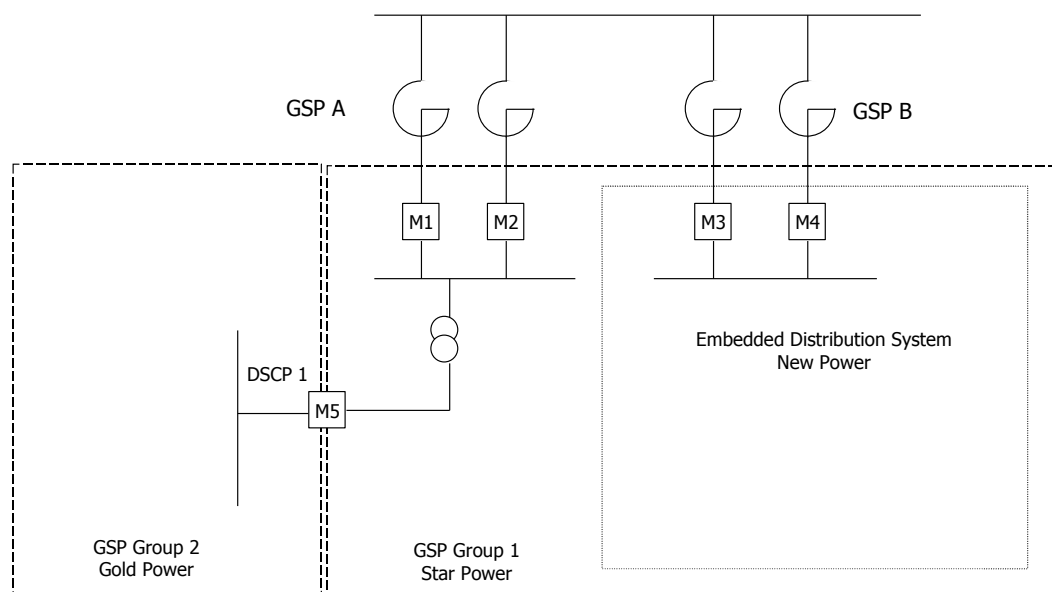
$$\text{Green_BM} = [1200.\text{GREEN3.AE} - 1200.\text{GREEN3.AI}] * \text{LLF1}$$

This would be submitted by Green Inc.

$$\text{Group Take for GSP Group 1} = \text{Metered Volume for GSP Group 1} - \text{Green_BM} - \text{all other embedded } \del{\text{BM Unit}}{\text{Primary BM Units}}$$

This will be established by the CDCA. Parties are not required to submit these Aggregation Rules, however the CDCA can request that they do.

4.1.11 Complex Case: Distribution System with two GSP connections to the Transmission System and a DSCP to another Distribution System Operator in a second GSP Group



In this example, there are two Distribution Systems in GSP Group 1. Star Power is the Nominated LDSO for GSP Group 1 and New Power is an embedded LDSO. There is a DSCP to GSP Group 2 where Gold Power is the Nominated LDSO. It should be noted that the Aggregation Rules for GSP Group Metered Volumes would not change if the two GSPs A and B were physically distinct, as they are in the above diagram, or connected.

Star Power has registered the GSP Metering Systems at GSP A with the Metering System identifiers 1239. New Power has registered the GSP Metering Systems at GSP B with the Metering System identifier 1240. Each of the Metering Systems have metering subsystems associated with them. GSP A has metering subsystems STAR1 and STAR2, and GSP B has metering subsystems STAR3 and STAR4.

The DSCP 1 is metered by M5. This belongs to the Metering System ID 1231 registered by Gold Power. The physical meter M5 corresponds to a metering subsystem identified as GOLD5. The Metering System ID 1231 has an associated Line Loss Factors Code LLF1.

Aggregation Rules for GSP Metered Volumes

$$\text{GSP A} = [1239.\text{STAR1.AE} - 1239.\text{STAR1.AI}] + [1239.\text{STAR2.AE} - 1239.\text{STAR2.AI}]$$

This would be submitted by Star Power.³

$$\text{GSP B} = [1240.\text{STAR3.AE} - 1240.\text{STAR3.AI}] + [1240.\text{STAR4.AE} - 1240.\text{STAR4.AI}]$$

This would be submitted by New Power.

$$\text{DSCP 1} = [[1231.\text{GOLD5.AE} - 1231.\text{GOLD5.AI}] * \text{LLF1}]$$

This would be submitted by Gold Power.

Note:

In this example, the Metering System at DSCP1 (M5) is registered by Gold Power. As a result, the above Aggregation Rules treat an Export as the flow from GSP Group 2 to GSP Group 1 and an Import as a flow of electricity from GSP Group 1 to GSP Group 2. However, in practice, the DSCP metering could be registered by either Gold Power or Star Power. If Star Power registered the Metering System at the DSCP then an Export would be from GSP Group 1 to GSP Group 2 and an Import from GSP Group 2 to GSP Group 1.

Aggregation Rules for GSP Group Metered Volumes and GSP Group Take

Metered Volume for GSP Group 1 =	$[\text{GSP A}] + [\text{GSP B}] - [\text{DSCP1}] +$ the Aggregation Rules for all other GSPs within GSP Group 1 + the Aggregation Rules for all DSCPs connecting to/from GSP Group 1
-------------------------------------	---

³ Changes to GSP Groups must be performed in accordance with BSC Section K1.8, which ensures that all Parties are aware of the changes.

This would be submitted by Star Power.

Metered Volume for GSP Group 2 = Aggregation Rules for all GSPs within GSP Group 2 + [DSCP 1] + the Aggregation Rules for all DSCPs connecting to/from GSP Group 1

This would be submitted by Gold Power.

The Group Take for GSP Group 1 is the same as the GSP Group Metered Volume as the embedded Distribution System has no CVA Boundary Points in GSP Group 1 and no contribution to the Aggregation Rules. All the energy of the embedded Distribution System is accounted for in SVA.

Group Take for GSP Group 1 = Metered Volume for GSP Group 1

Group Take for GSP Group 2 = Metered Volume for GSP Group 2 – all embedded ~~BM Unit~~Primary BM Units

These will be established by the CDCA. Parties are not required to submit these Aggregation Rules, however the CDCA can request that they do.

- 4.1.13 This example below is a simplified example of an offshore wind farm connected to an Offshore Transmission System.

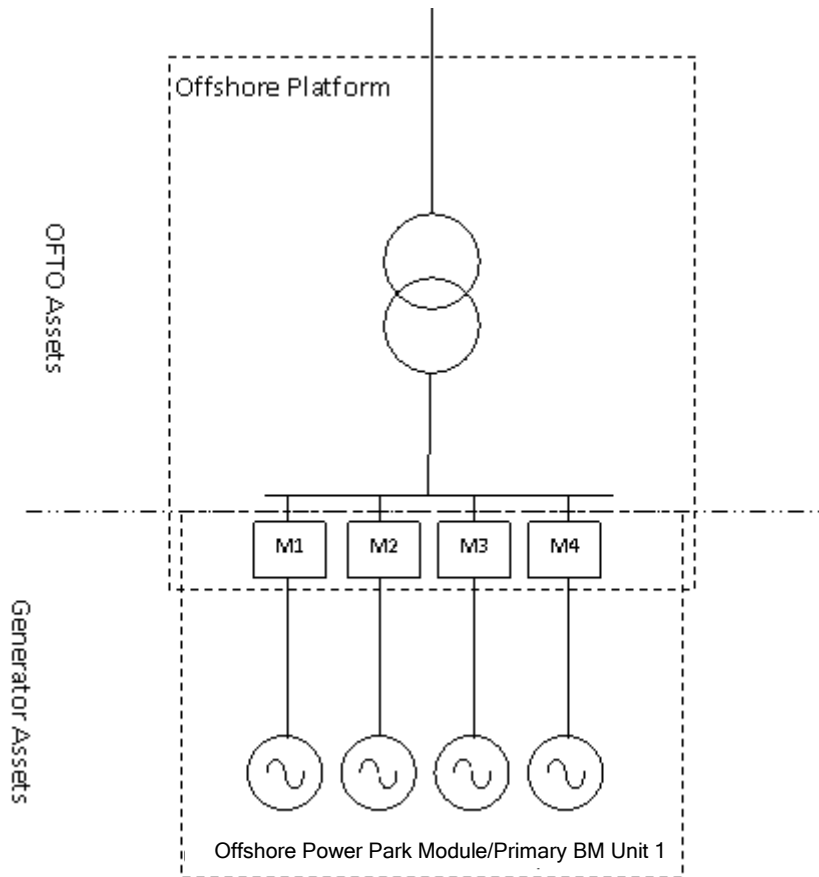
There is a single Offshore Power Park Module owned and operated by STAR Power. The Meters have been installed at the Boundary Points. All of the Meters have integral Outstations which are Registered in CMRS as a single Metering System with MSID 1234. All of the physical Meters (M1, M2, M3 and M4) are 4 metering sub systems, referred to as STAR1, STAR2, STAR3 and STAR4.

For this example 1 set of aggregation rules needs to be submitted to calculate the Metered Volumes associated with ~~BM Unit~~Primary BM Unit 1.

Aggregation Rules

~~BM Unit~~Primary BM Unit 1 = [1234.STAR1.AE – 1234.STAR1.AI] + [1234.STAR2.AE – 1234.STAR2.AI] + [1234.STAR3.AE – 1234.STAR3.AI] + [1234.STAR4.AE – 1234.STAR4.AI].

Diagram below amended to show 'Primary' in addition to 'BM Unit':



4.1.14 The example below shows a simplified offshore wind farm connected to an Offshore Transmission System. The Registrant has chosen to install a single Meter at location M1 and this is therefore the deemed Boundary Point. As the Meter is not located at the Defined Metering Points the Registrant is required to compensate the Meter readings with values that reflect the power losses between the deemed Boundary Point and the Defined Metering Points.

This may be achieved either within the physical Meter or in the data collection system. For this example the Registrant has applied appropriate compensations within the Meter.

There are two Offshore Power Park Modules owned and operated by STAR Power and these would normally form 2 ~~BM Unit~~Primary BM Units. However, in this case, it has been agreed that a single ~~BM Unit~~Primary BM Unit is acceptable.

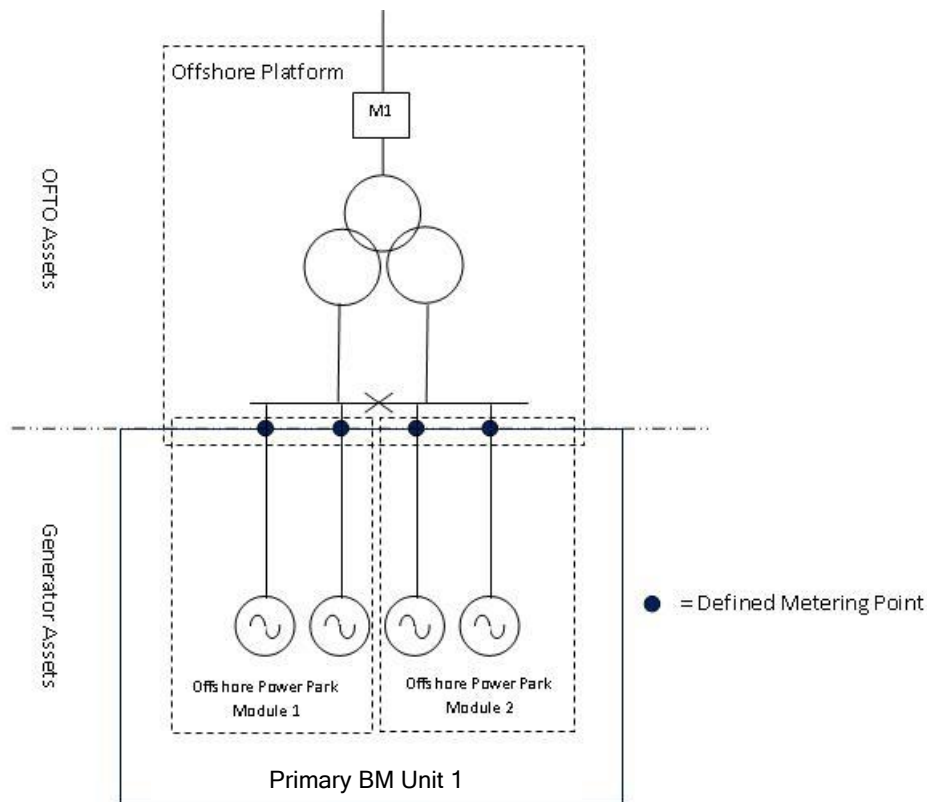
The Meter is Registered in CMRS as a single Metering System with MSID 1234. The physical Meter (M1) is a metering sub system, referred to as STAR1.

For this example 1 set of aggregation rules needs to be submitted to calculate the Metered Volumes associated with ~~BM Unit~~Primary BM Unit 1.

Aggregation Rules

$$\text{~~BM Unit~~Primary BM Unit 1} = [1234.STAR1.AE - 1234.STAR1.AI].$$

Diagram below amended to show 'Primary' in addition to 'BM Unit':



4.1.15 Below is a simplified example of an offshore wind farm connected to an Offshore Transmission System. There are two Offshore Power Park Modules owned and operated by RED Power. The two Offshore Platforms are electrically separate but may be coupled for maintenance and other purposes. All of the Meters in this example have integral Outstations which are Registered in CMRS as a single Metering System with MSID 1234. All of the physical Meters (M1, M2, M3, M4, M5, M6, M7 and M8) are 8 metering sub systems, referred to as RED1, RED2, RED3, RED4, RED5, RED6, RED7 and RED8.

For this example 2 sets of aggregation rules need to be submitted to calculate the Metered Volumes associated with ~~BM Unit~~Primary BM Unit 1 and 2.

Aggregation Rules

$$\text{BM Unit Primary BM Unit 1} = [1234.RED1.AE - 1234.RED1.AI] + [1234.RED2.AE - 1234.RED2.AI] + [1234.RED3.AE - 1234.RED3.AI] + [1234.RED4.AE - 1234.RED4.AI].$$

$$\text{BM Unit Primary BM Unit 2} = [1234.RED5.AE - 1234.RED5.AI] + [1234.RED6.AE - 1234.RED6.AI] + [1234.RED7.AE - 1234.RED7.AI] + [1234.RED8.AE - 1234.RED8.AI].$$

In addition, the Registrant has anticipated that the offshore cable to platform 2 will be disconnected for maintenance purposes. To ensure there is no loss of production

during this time the Registrant will re-route the volumes associated with ~~BM Unit~~Primary BM Unit 2 through ~~BM Unit~~Primary BM Unit 1 by closing the switch marked 'Normally Open'. The arrangements for this configuration are shown in the following example; however, the Registrant has chosen to pre-submit aggregation rules for this scenario from the outset as follows:

Alternative aggregation rules

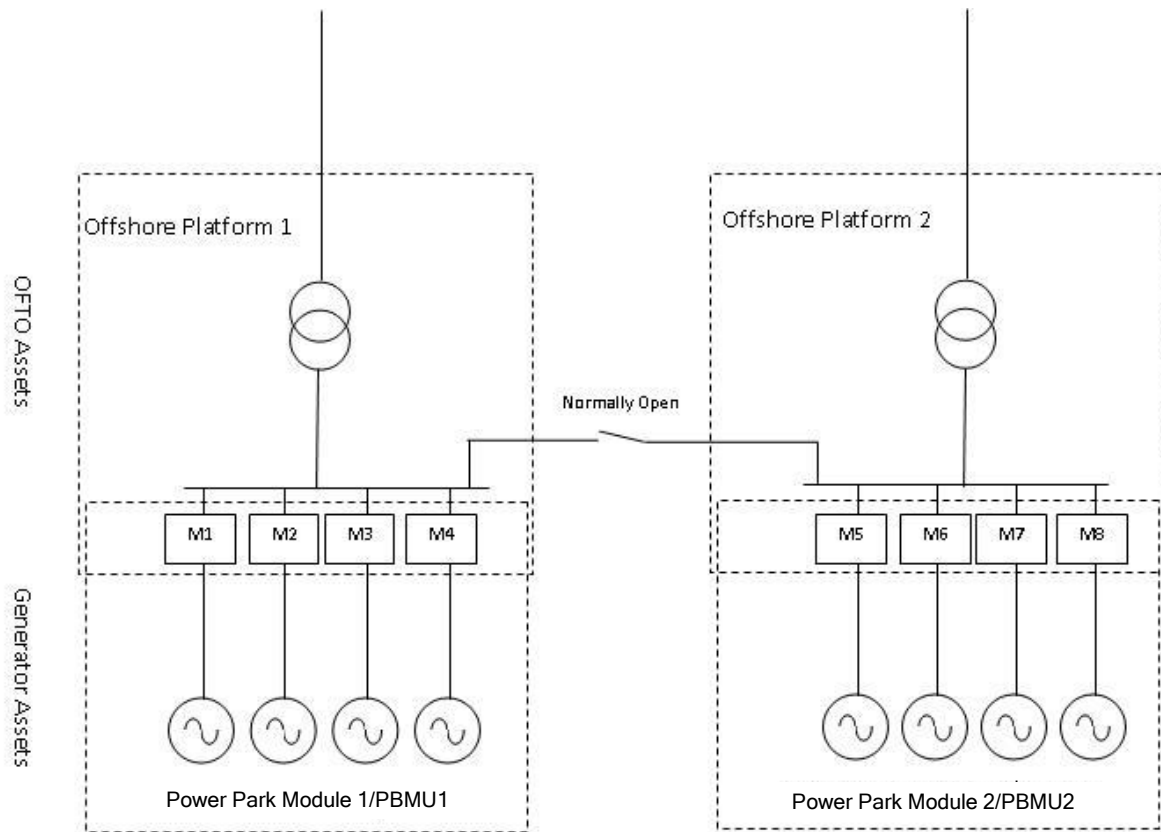
$$\begin{aligned} \del{BM Unit} \u{Primary BM Unit} 1 &= [1234.RED1.AE - 1234.RED1.AI] + [1234.RED2.AE - \\ &1234.RED2.AI] + \\ &[1234.RED3.AE - 1234.RED3.AI] + [1234.RED4.AE - 1234.RED4.AI] + \\ &[1234.RED5.AE - 1234.RED5.AI] + [1234.RED6.AE - 1234.RED6.AI] + \\ &[1234.RED7.AE - 1234.RED7.AI] + [1234.RED8.AE - 1234.RED8.AI]. \end{aligned}$$

$$\del{BM Unit} \u{Primary BM Unit} 2 = 0.$$

The alternative aggregation rules will not take effect until the Registrant instructs the CRA to do so by submitting BSCP75/4.4 form.

Other alternative aggregation rules may also be submitted to account for other such anticipated changes to the ~~BM Unit~~Primary BM Unit configurations (for example, if the total output is routed via ~~BM Unit~~Primary BM Unit 2 because the offshore cable to platform 1 is disconnected).

Diagram below amended to show 'Primary' in addition to 'BM Unit':



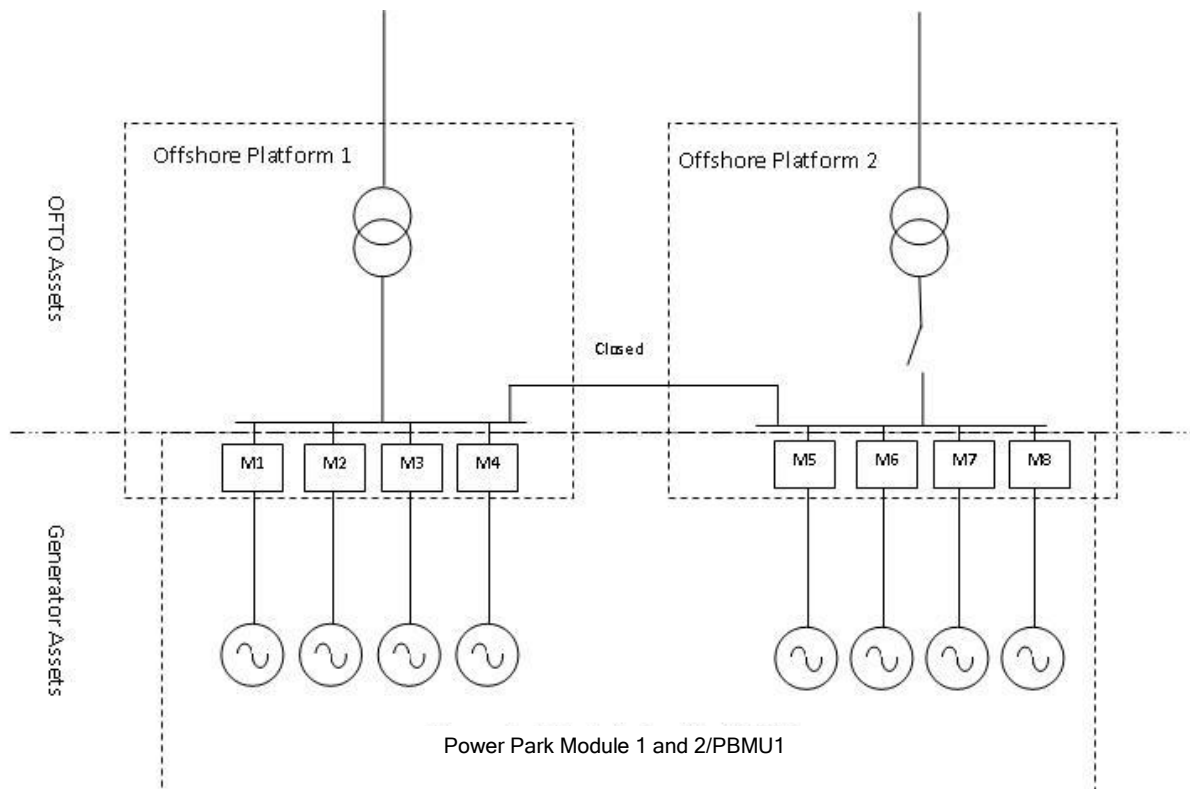
4.1.16 Below are the same arrangements as in the example in section 4.1.15 except the offshore cable to platform 2 has been disconnected for maintenance purposes. The bus section switch has been closed so that the output from ~~BM Unit~~Primary BM Unit 2 can be routed via ~~BM Unit~~Primary BM Unit 1. In order to reflect the changes to the ~~BM Unit~~Primary BM Unit configurations new aggregation rules are required. As the aggregation rules for this new arrangement have already been pre-submitted the Registrant has activated the alternative aggregation rules by submitting BSCP75/4.4 Form.

Aggregation Rules

$$\begin{aligned}
 \text{BM Unit Primary BM Unit 1} = & [1234.RED1.AE - 1234.RED1.AI] + [1234.RED2.AE - 1234.RED2.AI] + \\
 & [1234.RED3.AE - 1234.RED3.AI] + [1234.RED4.AE - 1234.RED4.AI] + \\
 & [1234.RED5.AE - 1234.RED5.AI] + [1234.RED6.AE - 1234.RED6.AI] + \\
 & [1234.RED7.AE - 1234.RED7.AI] + [1234.RED8.AE - 1234.RED8.AI].
 \end{aligned}$$

$$\text{BM Unit Primary BM Unit 2} = 0.$$

Diagram below amended to show 'Primary' in addition to 'BM Unit':



4.1.17 Demand ~~BM Unit~~ Primary BM Unit

Below is a simplified example of a premises owned and operated by Star Company which is connected directly to the Transmission System. Since the premises has no on-site generation the Registrant wishes to register the premises as a single demand ~~BM Unit~~ Primary BM Unit (~~BM Unit~~ Primary BM Unit 1). A Meter has been installed at the Boundary Point and has an integral Outstation which is registered in CMRS as a single Metering System with MSID 1234. The physical Meter (M1) is the metering subsystem referred to as STAR1.

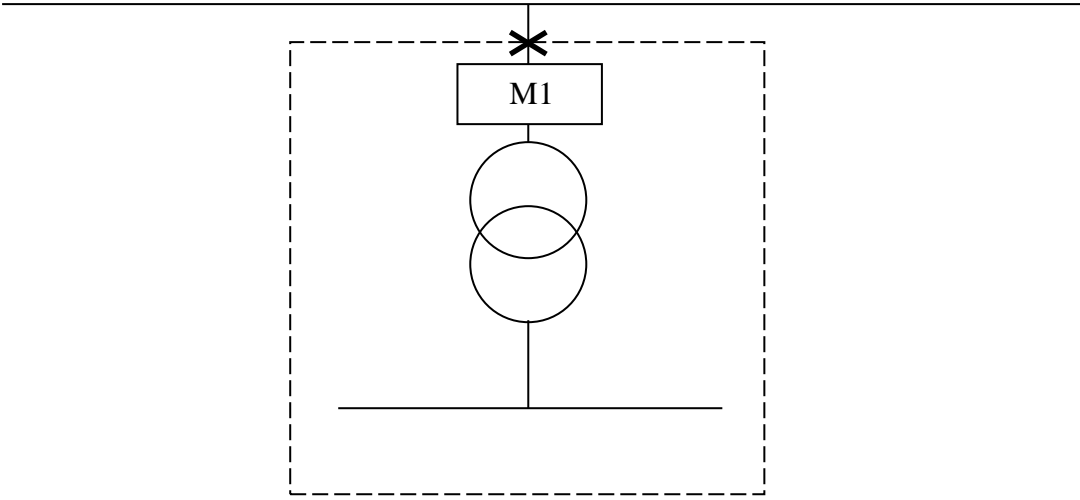
Since there is no on-site generation, and as this is not a Metering Code of Practice One⁴ site, the Active Energy Meter is only set up to record Active Import volumes (AI) only.

For this example, Active Export (AE) is therefore zero in the Aggregation Rule. It should be noted that the zero (representing AE) must be accounted for in the Aggregation Rule in order to produce the correct sign (i.e. a negative Metered Volume) for the Metered Volumes for this ~~BM Unit~~ Primary BM Unit.

Aggregation Rule

$$\del{BM Unit} \u{Primary BM Unit} 1 = [0 - 1234.STAR1.AI]$$

⁴ Metering Code of Practice One (CoP1) states that both Import MWh and Export MWh are required for Settlement purposes, which means that the metering must be configured to record both Active Import and Active Export (but does not necessarily imply that the Active Export must be allocated to a Primary BM Unit, as Settlement of Export from Exemptable Generating Plant is subject to the provisions of BSC Section K1.2.2(a)(ii)). Code of Practice Two and Code of Practice Three require that Export (or Import) metering need only be installed where required to meet system or plant conditions.



Primary BM Unit 1

4.2 BSCP75/4.2 Registration of Meter Aggregation Rules For Volume Allocation Units

To: CDCA	Date Sent: _____
From: Participant Details	
Party ID: _____	Name of Sender: _____
Participation Capacity: _____	Contact email address: _____
Our Ref: _____	Contact Tel. No. _____
Name of Authorised Signatory: _____	
Authorised Signature: _____	Password: _____

Tick box if this is a Registration Transfer in accordance with BSCP68.

Section 1

Please Tick Aggregation Unit Type

Unit BM <u>Primary</u> BM Unit (B)		External Interconnector (I)		Internal Interconnector (D)		Grid Supply Point (P)		Grid Supply Point Group Take (G)	
---	--	-----------------------------------	--	-----------------------------------	--	--------------------------	--	--	--

Aggregation Unit ID	
Aggregation Unit Name (optional)	
Effective From Date	
Effective To Date (optional)	

Tick box if submitting multiple sets of Aggregation Rules (each reflecting a different operational configuration) for a ~~BM Unit~~Primary BM Unit in a Switching Group.

If you have ticked this box, each set of Aggregation Rules should be submitted on a separate copy of Section 2, each one identified by an

appropriate description of the operational configuration (e.g. 'Normal Running', 'Circuit 2 Outage').

Section 2

Operational Configuration:	(Applies only to BM Unit <u>Primary BM Units</u> in a Switching Group that require different Aggregation Rules depending on the operational configuration.)				
Expression Reference (ER)	MSQ, ER, BMU, GSP, DSCP, LLF or CST	Reference	+, -, /, x	MSQ, ER BMU, GSP, DSCP, LLF or CST	Reference
1					
2					
3					
4					
5					
6					
7					
8					
9					
10					
11					
12					
13					
14					
15					
16					
17					
18					
19					
20					
21					

Section 3

From CDCA to Registrant

I hereby confirm that the Meter Aggregation Rules associated with the above Reference No. have been received.

Input by: Signed:..... Name:..... Date:.....

Checked by: Signed:..... Name:..... Date:.....

(For CDCA)

4.3 Examples of Registration Form (Section 2 of Form BSCP75/4.2)

Example 1 Power Station Connected to the Transmission System (based on ~~BM Unit~~Primary BM Unit 1 in Section 4.1.3 of this BSCP)

Expression Reference ER	MSQ, ER, BMU, GSP, DSCP, LLF or CST	Reference	+, -, /, x	MSQ, ER, BMU, GSP, DSCP, LLF or CST	Reference
1	ER	2	-	ER	5
2	ER	3	+	ER	4
3	MSQ	1234.STAR1.AE	-	MSQ	1234.STAR1.AI
4	MSQ	1234.STAR2.AE	-	MSQ	1234.STAR2.AI
5	MSQ	1234.STAR3.AE	-	MSQ	1234.STAR3.AI
6					
7					
8					

Example 2 Power Station Embedded within a Distribution System (based on ~~BM Unit~~Primary BM Unit 1 in Section 4.1.3 of this BSCP)

Expression Reference ER	MSQ, ER, BMU, GSP, DSCP, LLF or CST	Reference	+, -, /, x	MSQ, ER, BMU, GSP, DSCP, LLF or CST	Reference
1	ER	2	-	ER	5
2	ER	3	+	ER	4
3	ER	6	x	LLF	
4	ER	7	x	LLF	
5	ER	8	x	LLF	
6	MSQ	1234.STAR1.AE	-	MSQ	1234.STAR1.AI
7	MSQ	1234.STAR2.AE	-	MSQ	1234.STAR2.AI
8	MSQ	1234.STAR3.AE	-	MSQ	1234.STAR3.AI
9					
10					

4.4 BSCP75/4.4 Election of Pre-Registered Aggregation Rule for Switching Group

PAGE 1 OF 1

To: CDCA	Date Sent: _____
From: Participant Details	
Party ID: _____	Name of Sender: _____
Participation Capacity: _____	Contact email address: _____
Our Ref: _____	Contact Tel. No. _____
Name of Authorised Signatory: _____	
Authorised Signature: _____	Password: _____

<input type="checkbox"/>	I hereby elect that the initial Aggregation Rules for the BM Unit Primary BM Unit shall be:
<input type="checkbox"/>	I hereby elect to switch Aggregation Rules for the following BM Unit Primary BM Units (in order to reflect a change in operational configuration):

BM Unit Primary BM Unit ID(s)	
New Operational Configuration (as specified on pre-registered Aggregation Rules)	
Date and time ⁵ that configuration was switched:	

⁵ Date and time are not required for the initial election, as date comes from the form submission.